
DESPIECE TECNICO

**Lavavajillas de capota
Lave-vaisselle d' capot
Pass-through dishwasher
Durchschub geschirrspüler
Lavastoviglie a cappuccio
Lava-louças de capota**

Modelos:

EASY-H500

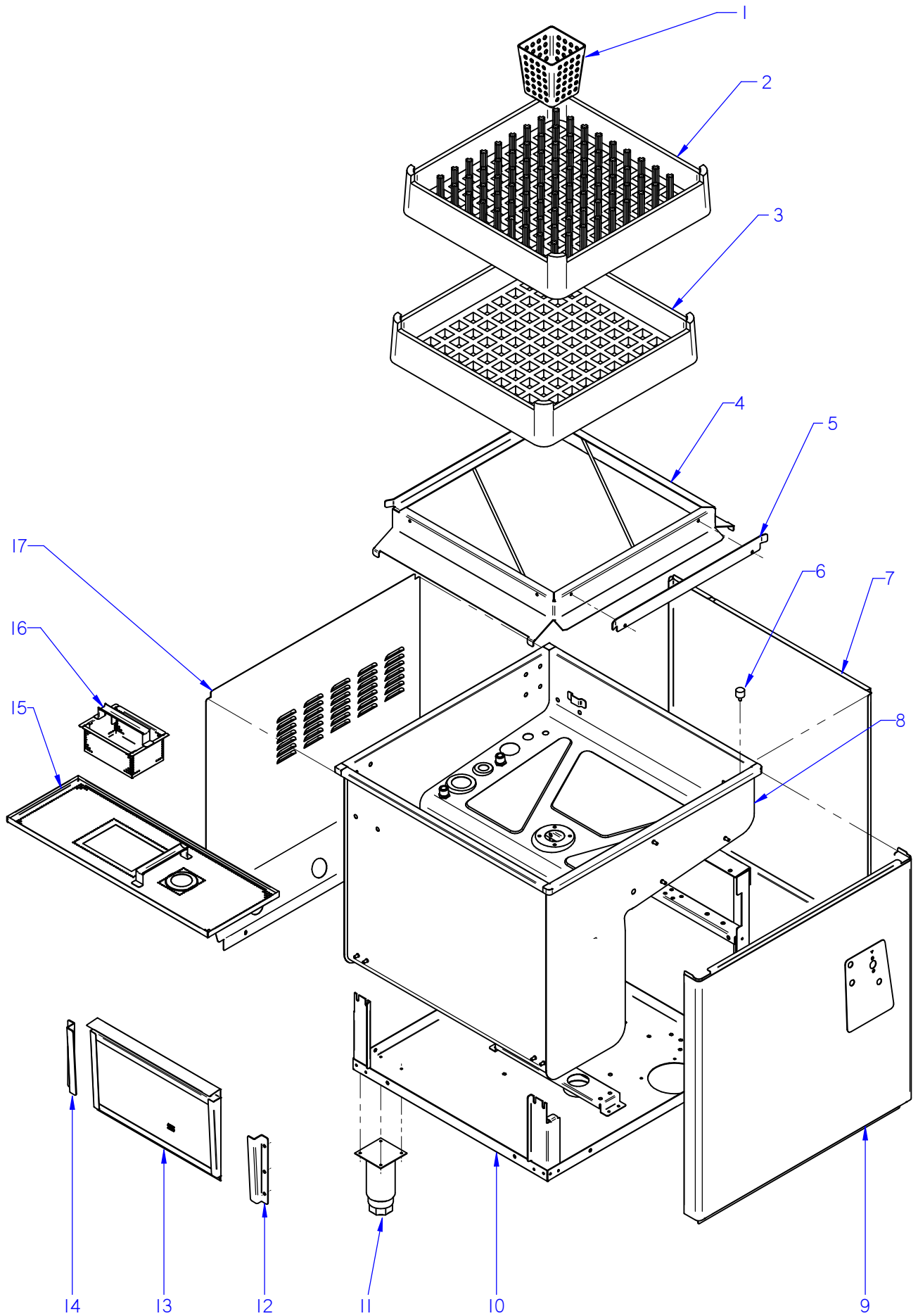
EASY-H500 B

EASY-H500 DD

EASY-H500 HP

Diciembre 2013 December

asber 



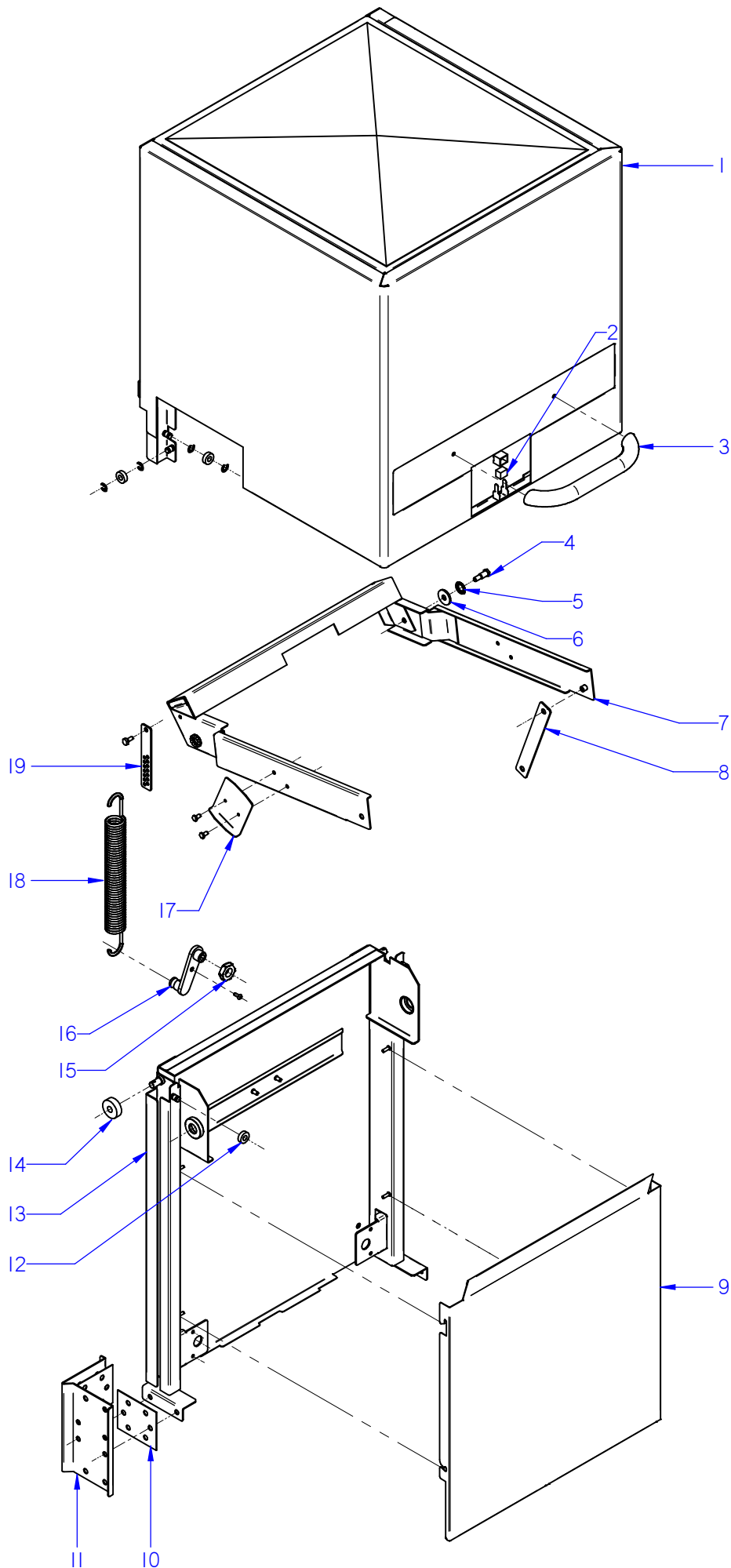
ITEM MARCADO EN COLOR = REPUESTO RECOMENDADO
 COLOURED ITEM = RECOMMENDED SPARE PART

N plano	Firma	Fecha	Aparato	MUEBLE / FITTING	Lamina	
C-3186	<i>(Signature)</i>	2013-12	LAVAVAJILLAS EASY-H500		1	

MOD.		LAVAVAJILLAS DE CAPOTA PASS THROUGH DISHWASHER		ZONA / ZONE		MUEBLE / FITTING				PLANO DIAGRAM		C-3186		
ITEM	CODIGO REFERENCE	DENOMINACION	DENOMINATION	EASY-H500	EASY-H500 B	EASY-H500 DD	EASY-H500 HP					ELIMINADO ELIMINATED	INTRODUCID. INTRODUCED	NOTAS
1	12023745	CESTILLO CUBIERTOS	CUTLERY BASKET	2	2	2	2							
2	12024990	CESTILLO PLATOS CP-16-18	PLATE BASKET CP-16-18	1	1	1	1							
3	12025011	CESTILLO BASE CT-10	BASE BASKET CT-10	1	1	1	1							
4	12038455	BASE CESTILLO COMPLETA	COMPLETE BASKET BASE	1	1	1	1							
5	12021776	GUIA CESTILLO	BASKET GUIDE	1	1	1	1							
	Q152004000	TORNILLO APLAST. M5x13 A304	MUSHROOM HEAD BOLT M5x13 A	2	2	2	2							
	Q242030000	ARANDELA ABANICO A5 A.304	FAN WASHER A5 A.304	2	2	2	2							
	Q162030000	TUERCA EXAGONAL M5	HEXAGONAL NUT M5	2	2	2	2							
	Q308000000	ARANDELA DUBO A.8	DUBO A.8 WASHER	14	14	14	14							
6	12025159	AMORTIGUADOR	DAMPER	2	2	2	2							
	Q262040000	ARANDELA GROW. A6 A.304	WASHER GROW. A6 A.304	2	2	2	2							
	Q162040000	TUERCA EXAGONAL M6	HEXAGONAL NUT M6	2	2	2	2							
	Q012073000	TORNILLO EXAGONAL M12x20	HEXAGONAL BOLT M12x20	1	1	1	1							
	12010260	JUNTA 18x12.2x1.5	SEAL 18x12.2x1.5	1	1	1	1							
	Q162070000	TUERCA EXAGONAL M12	HEXAGONAL NUT M12	1	1	1	1							
7	12022805	PANEL LATERAL DERECHO	RIGHT SIDE PANEL	1	1	1	1							
S/Nº	12022806	PANEL LATERAL IZQUIERDO	LEFT SIDE PANEL	1	1	1	1							
	Q152004000	TORNILLO APLAST. M5x13 A304	MUSHROOM HEAD BOLT M5x13 A	4	4	4	4							
8	12049424	CUBA COMPLETA	COMPLETE TUB	1	1	1	—							
8	12049394	CUBA COMPLETA	COMPLETE TUB	—	—	—	1							
	Q232040000	ARANDELA A6	WASHER A6	4	4	4	4							
	Q302022000	ARANDELA 16x6x1.2 A.304	WASHER 16X6X1.2 A.304	4	4	4	4							
	Q262040000	ARANDELA GROW. A6 A.304	WASHER GROW. A6 A.304	8	8	8	8							
	Q162040000	TUERCA EXAGONAL M6	HEXAGONAL NUT M6	8	8	8	8							
9	12091539	PANEL FRONTAL	FRONT PANEL	1	1	1	1							
10	12005368	ARMAZON COMPLETO	COMPLETE FRAME	1	1	1	1							
10	12005278	ARMAZON COMPLETO	COMPLETE FRAME	—	—	—	—							
11	12009104	PATA REGULABLE	ADJUSTABLE LEG	4	4	4	4							
	Q411304000	REMACHE AVIBULB Ø4,8	AVIBULB RIVET Ø4.8	16	16	16	16							

MOD.	LAVAVAJILLAS DE CAPOTA PASS THROUGH DISHWASHER	ZONA / ZONE	MUEBLE / FITTING	PLANO DIAGRAM	C-3186
------	---	-------------	------------------	------------------	--------

ITEM	CODIGO REFERENCE	DENOMINACION	DENOMINATION	EASY-H500	EASY-H500 B	EASY-H500 DD	EASY-H500 HP					ELIMINADO ELIMINATED	INTRODUCID. INTRODUCED	NOTAS
12	12021859	GUIA FILTRO ANTERIOR	FRONT FILTER GUIDE	1	1	1	1							
	Q232040000	ARANDELA A6	WASHER A6	2	2	2	2							
	Q162040000	TUERCA EXAGONAL M6	HEXAGONAL NUT M6	2	2	2	2							
13	12048626	FILTRO	FILTER	1	1	1	1							
14	12021860	GUIA FILTRO POSTERIOR	REAR FILTER GUIDE	1	1	1	1							
	Q232040000	ARANDELA A6	WASHER A6	2	2	2	2							
	Q162040000	TUERCA EXAGONAL M6	HEXAGONAL NUT M6	2	2	2	2							
15	12038373	BANDEJA COMPLETA	COMPLETE TRAY	1	1	1	1							
16	12038374	RECOGEDOR DESPERDICIOS	WASTE COLLECTION	1	1	1	1							
17	12092762	PANEL POSTERIOR	REAR PANEL	1	1	1	1							
	11000069	PERFIL CUBREARISTAS PLASTICO	PLASTIC EDGE COVER PROFILE	3	3	3	3							
	Q152004000	TORNIL, APLASTADO M5x13 A304	FLAT HEADED BOLT M5x13 A304	2	2	2	2							
	12025287	TOPE 80x80x20	BUFFER 80x80x20	6	6	6	6							



ITEM MARCADO EN COLOR = REPUESTO RECOMENDADO
 COLOURED ITEM = RECOMMENDED SPARE PART

N plano	Firma	Fecha	Aparato	CAPO / HOOD	Lamina	
C-3187	<i>(Signature)</i>	2013-12	LAVAVAJILLAS EASY-H500		2	

MOD.		LAVAVAJILLAS DE CAPOTA PASS THROUGH DISHWASHER	ZONA / ZONE	CAPO / HOOD				PLANO DIAGRAM	C-3187			
ITEM	CODIGO REFERENCE	DENOMINACION	DENOMINATION	EASY-H500	EASY-H500 B	EASY-H500 DD	EASY-H500 HP			ELIMINADO ELIMINATED	INTRODUCID. INTRODUCED	NOTAS
1	12005238	CAPO COMPLETO	COMPLETE HOOD	1	1	1	1					
	12025255	CASQUILLO RODANTE	REVOLVING BUSHING	4	4	4	4					
	12010014	ARANDELA DE SEGURIDAD 8	SAFETY WASHER 8	8	8	8	8					
2	12024303	IMAN	MAGNET	1	1	1	1					
S/Nº	12024094	PROTECTOR IMAN	MAGNET PROTECTOR	1	1	1	1					
3	12024101	ASA PUERTA	ASA DOOR	1	1	1	1					
4	12023966	EJE DE GIRO	ROTARY SHAFT	2	2	2	2					
5	12024032	RODAMIENTO 6200-2RS1	BEARING 6200-2RS1	2	2	2	2					
6	12009922	ARANDELA 30x10x3	WASHER 30x10x3	2	2	2	2					
7	12038365	BALANCIN COMPLETO	COMPLETE ROCKER ARM	1	1	1	1					
	Q232050000	ARANDELA A8	WASHER A8	2	2	2	2					
	Q262050000	ARANDELA GROW. A8 A.304	WASHER GROW. A8 A.304	2	2	2	2					
	Q162050000	TUERCA EXAGONAL M8x1 INOX.	HEXAGONAL NUT M8x1 INOX.	2	2	2	2					
8	12021883	BIELA	ROD	2	2	2	2					
	12009922	ARANDELA 30x10x3	WASHER 30x10x3	8	8	8	8					
	Q232040000	ARANDELA A6	WASHER A6	4	4	4	4					
	Q262040000	ARANDELA GROW. A6 A.304	WASHER GROW. A6 A.304	4	4	4	4					
	Q012041000	TORNILLO EXAGON. M6x10 A.304	HEXAGONAL BOLT. M6x10 A.304	4	4	4	4					
9	12022221	CUBIERTA RESORTES CLINIC	SPRING COVER	1	1	1	1					
10	12023517	JUNTA SOPORTE CAPO	HOOD SUPPORT SEAL	4	4	4	4					
	Q012053000	TORNILLO EXAGON. M8x20 A.304	HEXAGONAL BOLT. M8x20 A.304	10	10	10	10					
	Q013153000	TORNILLO EX M-8x20 LATON CRO.	HEX BOLT M-8x20 CHR. BRASS	4	4	4	4					
	Q232050000	ARANDELA A8	WASHER A8	14	14	14	14					
	Q262050000	ARANDELA GROW. A8 A.304	WASHER GROW. A8 A.304	14	14	14	14					
	Q162050000	TUERCA EXAG. M8x1 INOX.	HEXAG. SCREW M8x1 STAINLESS	10	10	10	10					
11	12021754	SOPORTE GUIA CAPO	HOOD GUIDE SUPPORT	2	2	2	2					
12	12025255	CASQUILLO RODANTE	REVOLVING BUSHING	4	4	4	4					
	12010014	ARANDELA DE SEGURIDAD 8	SAFETY WASHER 8	8	8	8	8					
13	12007312	GUIA CAPO COMPLETA	COMPLETE HOOD GUIDE	1	1	1	1					
14	12025210	CASQUILLO	BUSHING	2	2	2	2					
15	12009948	TUERCA EXAGONAL M20	HEXAGONAL BOLT M20	2	2	2	2					

MOD.

LAVAVAJILLAS DE CAPOTA
PASS THROUGH DISHWASHER

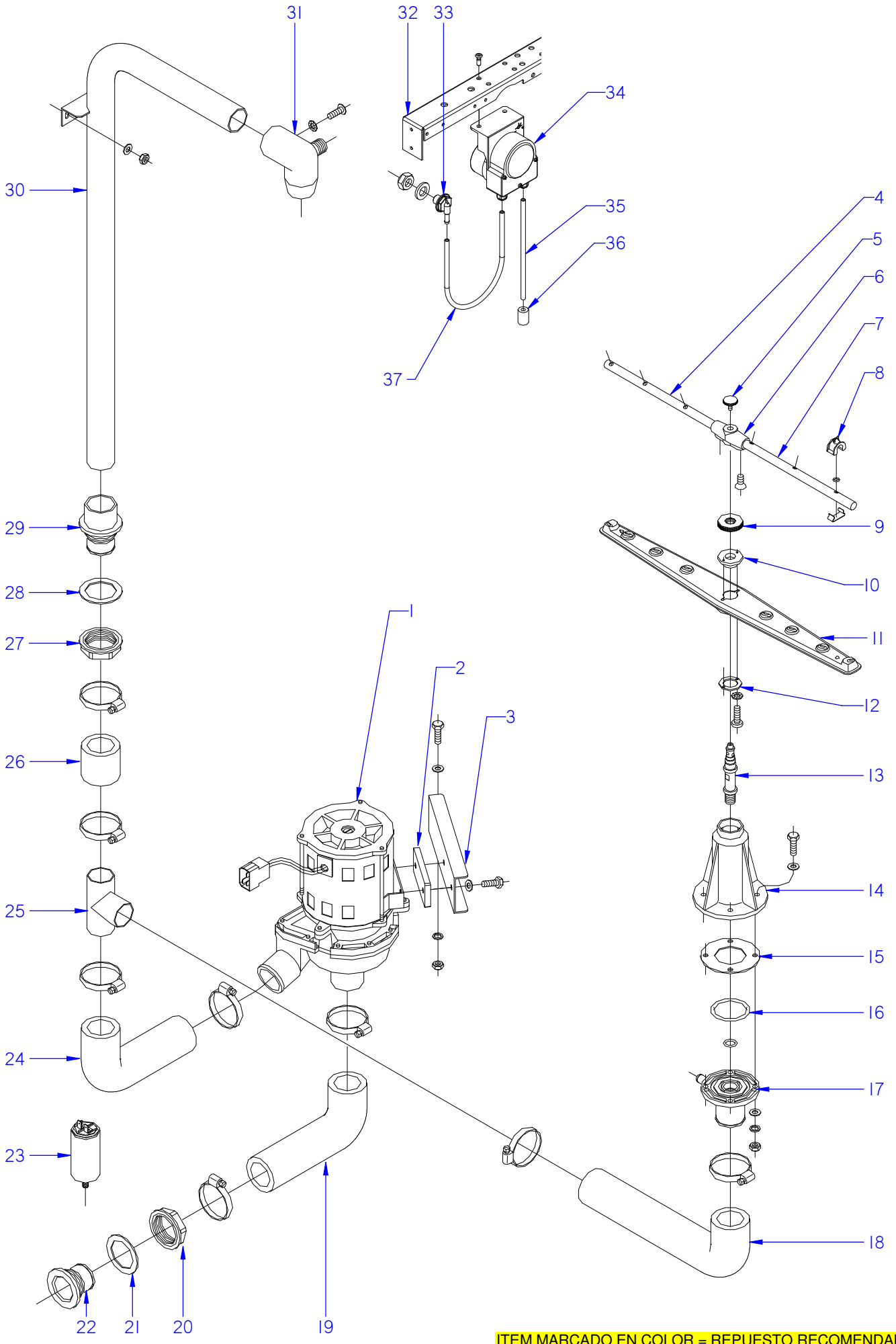
ZONA / ZONE

CAPO / HOOD

PLANO
DIAGRAM

C-3187

ITEM	CODIGO REFERENCE	DENOMINACION	DENOMINATION	EASY-H500	EASY-H500 B	EASY-H500 DD	EASY-H500 HP					ELIMINADO ELIMINATED	INTRODUCID. INTRODUCED	NOTAS
16	12025166	TENSOR MUELLE	TENSIONING SPRING	2	2	2	2							
	Q152004000	TORNILLO APLAST. M5x13 A 304	MUSHROOM HEAD BOLT M5x13	2	2	2	2							
17	12021941	ESCUADRA TOPE	BUFFER BRACKET	2	2	2	2							
	Q012041000	TORNILLO EXAGON. M6X10 A.304	HEXAGONAL BOLT. M6X10 A.304	4	4	4	4							
	Q242040000	ARANDELA ABANICO	FAN WASHER	4	4	4	4							
18	12024948	RESORTE 29230	SPRING 29230	2	2	2	2							
19	12021923	ENGANCHE MUELLE	SPRING HOOK	2	2	2	2							
	12023624	EJE ENGANCHE MUELLE	SPRING HOOK SHAFT	2	2	2	2							
	Q232040000	ARANDELA A6	WASHER A6	2	2	2	2							
	Q222012000	TUERCA AUTOB. M6	SELF-LOCK NUT M6	2	2	2	2							

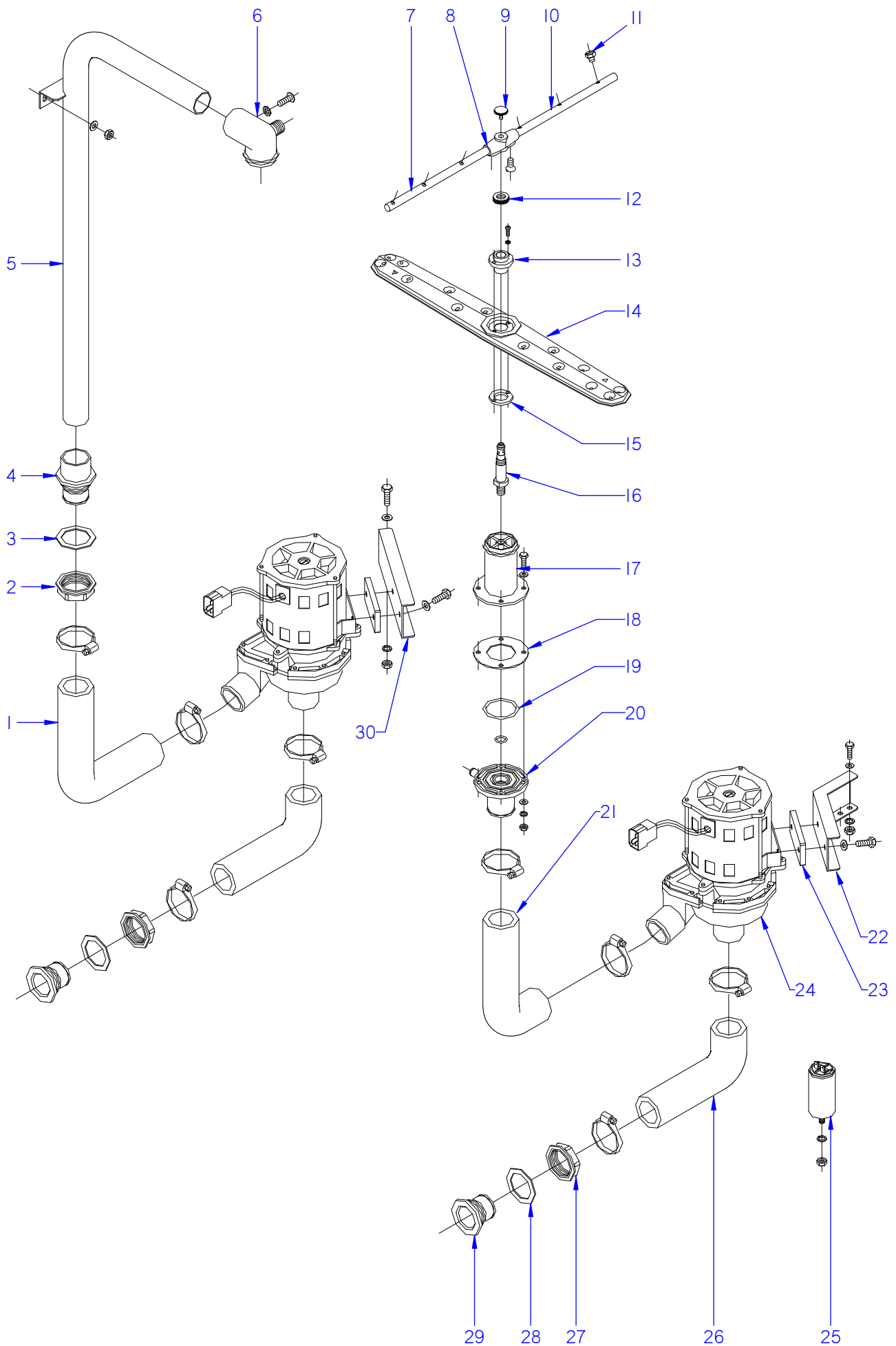


ITEM MARCADO EN COLOR = REPUESTO RECOMENDADO
 COLOURED ITEM = RECOMMENDED SPARE PART

N plano	Firma	Fecha	Aparato	PARTE FUNCIONAL LAVADO / WASH FUNCTIONAL PART	Lamina	
C-3188	<i>(Signature)</i>	2013-12	LAVAVAJILLAS EASY-H500		3	

MOD.		LAVAVAJILLAS DE CAPOTA PASS THROUGH DISHWASHER		ZONA / ZONE		PARTE FUNCIONAL LAVADO WASH FUNCTIONAL PART						PLANO DIAGRAM		C-3188	
ITEM	CODIGO CODE	DENOMINACION	NAME	EASY-H500	EASY-H500 B	EASY-H500 DD						ELIMINADO ELIMINATED	INTRODUCID. INTRODUCED	NOTAS	
1	12024265	BOMBA DE LAVADO	WASH PUMP	1	1	1									
1	12024270	BOMBA DE LAVADO 60 HZ.	WASH PUMP 60 Hz.	1	1	1									
2	12023556	BASE BOMBA LAVADO 1003016	WASH PUMP BASE 1003016	1	1	1									
	Q232040000	ARANDELA A6	WASHER A6	2	2	2									
	Q012042000	TORNILLO EXAGONAL M6x15	HEXAGONAL BOLT M6x15	2	2	2									
3	12022471	SOPORTE MOTOBOMBA POSTER.	REAR MOTOR PUMP SUPPORT	1	1	1									
4	12023524	RAMA ACLARADO IZQUIERDA	LEFT RINSE BRANCH	2	2	2									
5	12009829	TORNILLO ESPECIAL M.5x0.8	SPECIAL BOLT M.5X0.8	2	2	2									
6	12024470	SOPORTE RAMA ACLARADO COM.	COM. RINSE BRANCH SUPPORT	2	2	2									
	Q042021000	TORNILLO AVELLAN. M4x10 A304	COUNTERSUNK BOLT M4x10 A304	4	4	4									
7	12023527	RAMA ACLARADO DERECHA	RIGHT RINSE BRANCH	2	2	2									
8	12024077	TOBERA ACLARADO	RINSE NOZZLE	12	12	12									
9	12024375	TUERCA ESPECIAL	SPECIAL NUT	2	2	2									
10	12045103	ENGANCHE DISTRIBUIDOR	DISTRIBUTOR CATCH	2	2	2									
11	12025122	DISTRIBUIDOR COMPLETO	COMPLETE DISTRIBUTOR	2	2	2									
12	12024289	AMARRE ENGANCHE DISTRIBUID.	ANCHORAGE DISTRIBUTOR	2	2	2									
	Q032011000	TORNILLO ALOMADO M3x10	CURVED SCREW M3X10	4	4	4									
	Q242010000	ARANDELA ABANICO A3 A.304	FAN WASHER A3 A.304	4	4	4									
13	12023844	EJE CENTRAL	CENTRAL SHAFT	2	2	2									
14	12025170	SOPORTE DISTRIBUIDOR INFER.	LOWER DISTRIBUTION SUPPORT	1	1	1									
15	12024227	JUNTA DE GOMA	RUBBER SEAL	1	1	1									
16	12010118	JUNTA TORICA 47.22x54.28x3.53	O-RING 47.22x54.28x3.53	1	1	1									
	12009837	JUNTA TORICA 13.94x19.18x2.6	O-RING 13.94x19.18x2.6	1	1	1									
17	12024312	PASAMUROS	BUSHING	1	1	1									
	Q012044000	TORNILLO EXAGONAL M6x25	HEXAGONAL BOLT M6x25	4	4	4									
	Q306050000	ARANDELA 6x12x1.5	WASHER 6x12x1.5	4	4	4									
	Q232040000	ARANDELA A6	WASHER A6	4	4	4									
	Q262040000	ARANDELA GROW. A6 A.304	WASHER GROW. A6 A.304	4	4	4									
	Q162040000	TUERCA EXAGONAL M6	HEXAGONAL NUT M6	4	4	4									
18	12023779	CONDUCTO INFERERIOR	LOWER PIPE	1	1	1									

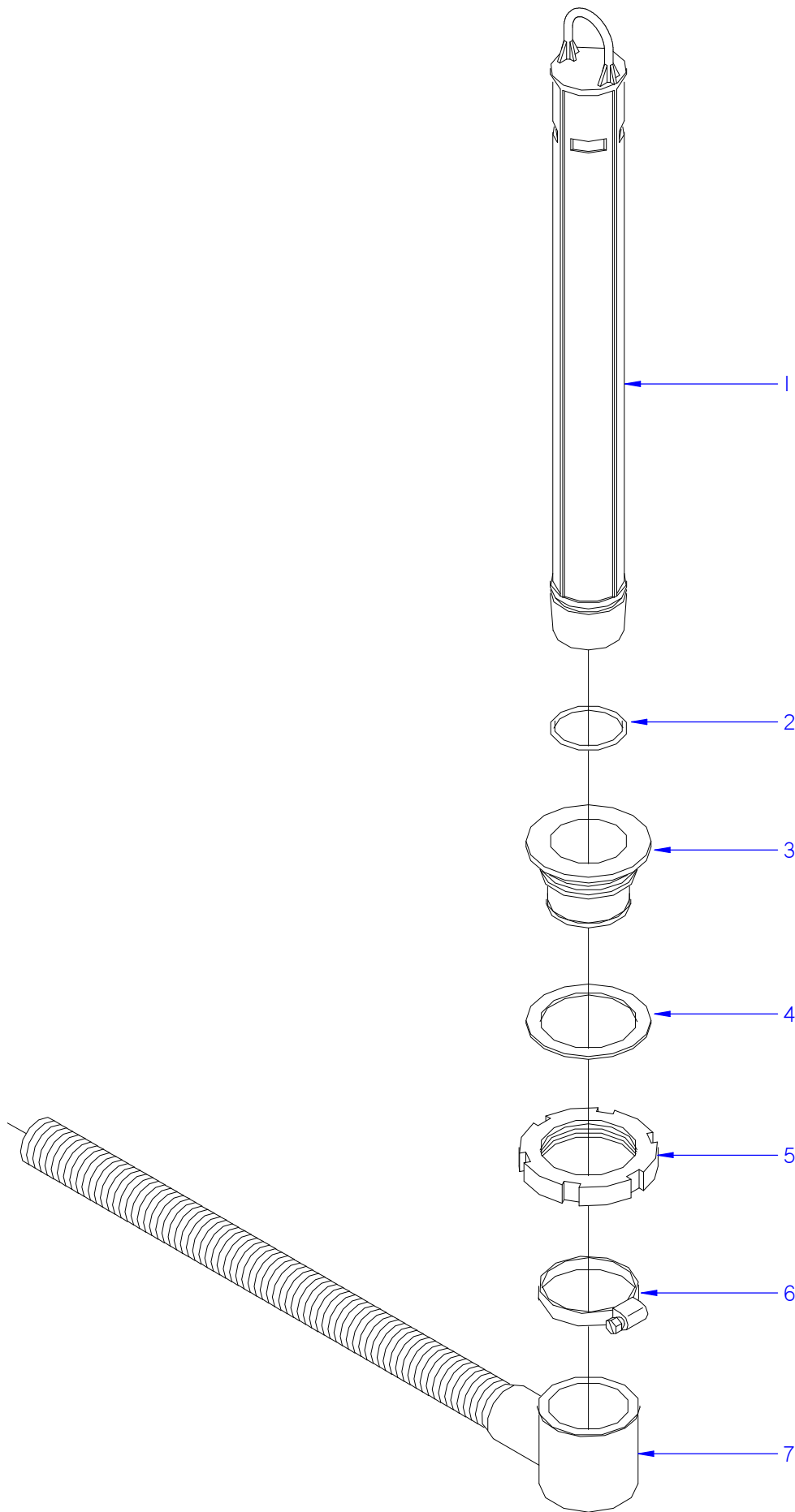
MOD.		LAVAVAJILLAS DE CAPOTA PASS THROUGH DISHWASHER		ZONA / ZONE		PARTE FUNCIONAL LAVADO WASH FUNCTIONAL PART						PLANO DIAGRAM		C-3188	
ITEM	CODIGO CODE	DENOMINACION	NAME	EASY-H500	EASY-H500 B	EASY-H500 DD						ELIMINADO ELIMINATED	INTRODUCID. INTRODUCED	NOTAS	
19	12023625	CONDUCTO ASPIRACION	EXTRACTOR PIPE	1	1	1									
	12009962	ABRAZADERA 40-60	CLAMP 40-60	4	4	4									
20	12023537	TUERCA PASAMUROS	WALL BUSHING NUT	1	1	1									
21	12009960	ARANDELA 60x44x2	WASHER 60x44x2	1	1	1									
22	12025261	PASAMUROS ASPIRACION	EXTRACTOR BUSHING	1	1	1									
23	12024376	CONDENSADOR 10 M,F,	CONDENSER 10 M,F,	1	1	1									
	Q162050000	TUERCA EXAGONAL M8x1 INOX,	HEXAGONAL NUT M8x1 INOX.	2	2	2									
24	12023698	CONDUCTO IMPULSION	IMPULSE PIPE	1	1	1									
	12009962	ABRAZADERA 40-60	CLAMP 40-60	2	2	2									
25	12023558	TE IMPULSION	IMPULSE T	1	1	1									
26	12023567	CONDUCTO SUPERIOR	UPPER PIPE	1	1	1									
	12009962	ABRAZADERA 40-60	CLAMP 40-60	2	2	2									
27	12023537	TUERCA PASAMUROS	WALL BUSHING NUT	1	1	1									
28	12009960	ARANDELA 60x44x2	WASHER 60x44x2	1	1	1									
29	12023755	PASAMUROS ARBOL LAVADO	WASH CAM BUSHING	1	1	1									
30	12006587	ARBOL LAVADO COMPLETO	COMPLETE WASH CAM	1	1	1									
	Q232040000	ARANDELA A6	WASHER A6	2	2	2									
	Q162040000	TUERCA EXAGONAL M6	HEXAGONAL NUT M6	2	2	2									
31	12024927	SOPORTE DISTRIBUIDOR SUPER.	UPPER DISTRIBUTION SUPPORT	1	1	1									
	Q152004000	TORNILLO APLAST. M5x13 A.304	MUSHROOM HEAD BOLT M5x13 A	1	1	1									
	Q242030000	ARANDELA ABANICO A5 A.304	FAN WASHER A5 A.304	1	1	1									
32	-----	TRAVESANO		-	-	1									
33	12024531	PASAMUROS DETERGENTE INOX	DETERGENT WALL BUSHING	-	-	1									
34	12024216	DOSIFIC. DGTE REGULABLE G300	DOSEFOR DETERGENT	-	-	1									
35	12024139	CONDUCTO ASPIRACION	CONDUIT	-	-	1									
36	12024353	PESO FILTRO		-	-	1									
37	11000079	CONDUCTO DOSIFICA FOR 6X4	DOSEFOR CONDUIT 6X4	-	-	1									



ITEM MARCADO EN COLOR = REPUESTO RECOMENDADO
 COLOURED ITEM = RECOMMENDED SPARE PART

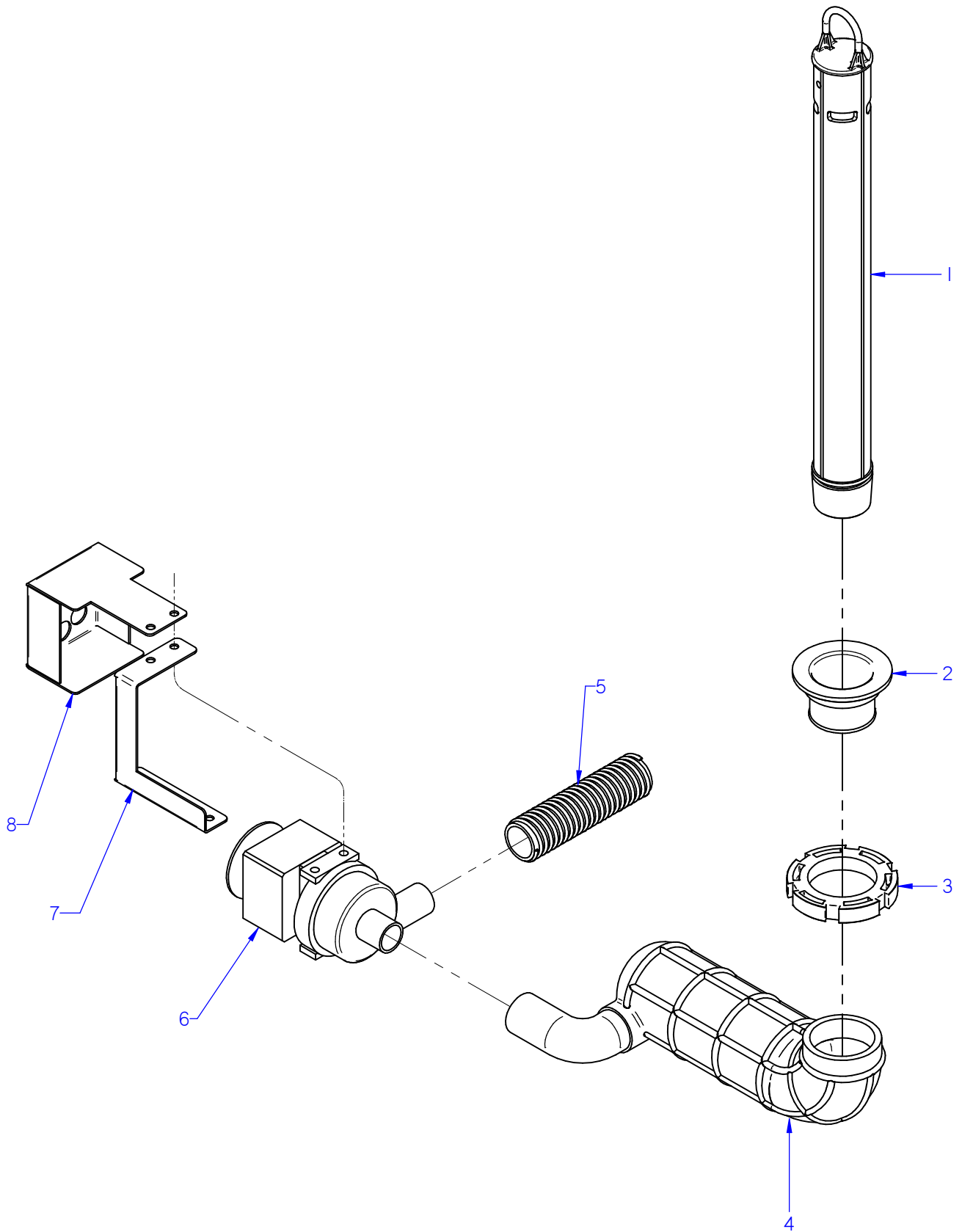
N plano	Firma	Fecha	Aparato	PARTE FUNCIONAL LAVADO / WASH FUNCTIONAL PART	Lamina	
C-3189	<i>name Benfor</i>	2013-12	LAVAVAJILLAS EASY-H500 HP	4		

MOD.		LAVAVAJILLAS / DISWASHER		ZONA / ZONE		PARTE FUNCIONAL LAVADO WASH FUNCTIONAL PART						PLANO DIAGRAM		C-3189	
ITEM	CODIGO CODE	DENOMINACION	NAME	EASY-H500 HP								ELIMINADO ELIMINATED	INTRODUCID. INTRODUCED	NOTAS	
1	12023519	CONDUCTO IMPULSION POSTER.	REAR IMPULSE PIPE	1											
	Q881307000	ABRAZADERA 40-60	CLAMP 40-60	2											
2	12023537	TUERCA PASAMUROS	WALL BUSHING NUT	1											
3	12009960	ARANDELA 60x44x2	WASHER 60x44x2	1											
4	12025029	PASAMUROS IMPULSION PRELAV.	PREWASH IMPULSE BUSHING	1											
	12010172	JUNTA TORICA 43,01x33,77x2.62	O-RING 43,01x33,77x2.62	1											
5	12006587	ARBOL LAVADO COMPLETO	COMPLETE WASH CAM	1											
	Q232040000	ARANDELA A6	WASHER A6	2											
	Q162040000	TUERCA EXAGONAL M6	HEXAGONAL NUT M6	2											
6	12024934	SOPORTE DISTRIBUIDOR SUPER.	UPPER DISTRIBUTION SUPPORT	1											
	Q152004000	TORNILLO APLAST. M5x13 A.304	MUSHROOM HEAD BOLT M5x13 A	1											
	Q242030000	ARANDELA ABANICO A5 A.304	FAN WASHER A5 A.304	1											
7	12023524	RAMA ACLARADO IZQUIERDA	LEFT RINSE BRANCH	2											
8	12024470	SOPORTE RAMA ACLARADO COM.	COM. RINSE BRANCH SUPPORT	2											
	Q042021000	TORNILLO AVELLAN. M4x10 A304	COUNTERSUNK BOLT M4x10 A30	4											
9	12009829	TORNILLO ESPECIAL M.5x0.8	SPECIAL BOLT M.5X0.8	2											
10	12023527	RAMA ACLARADO DERECHA	RIGHT RINSE BRANCH	2											
11	12024077	TOBERA ACLARADO	RINSE NOZZLE	12											
12	12023653	TUERCA ESPECIAL	SPECIAL NUT	2											
13	12025116	CASQUILLO DISTRIBUIDOR	DISTRIBUTOR BUSHING	2											
	Q032011000	TORNILLO ALOMADO M3x10	CURVED SCREW M3X10	4											
	Q242010000	ARANDELA ABANICO A3 A.304	FAN WASHER A3 A.304	4											
14	12038375	DISTRIBUIDOR COMPLETO	COMPLETE DISTRIBUTOR	2											
15	12023674	ARANDELA AMARRE	ANCHORAGE WASHER	2											
16	12023601	EJE CENTRAL	CENTRAL SHAFT	2											
17	12023652	SOPORTE DISTRIBUIDOR INFER.	LOWER DISTRIBUTION SUPPORT	1											
18	12024227	JUNTA DE GOMA	RUBBER SEAL	1											
19	12010118	JUNTA TORICA 47.22x54.28x3.53	O-RING 47.22x54.28x3.53	1											
	12009837	JUNTA TORICA 13.94x19.18x2.6	O-RING 13.94x19.18x2.6	1											



ITEM MARCADO EN COLOR = REPUESTO RECOMENDADO
 COLOURED ITEM = RECOMMENDED SPARE PART

N plano	Firma	Fecha	Aparato	PARTE FUNCIONAL DESAGÜE / DRAINAGE FUNCTIONAL PART	Lamina	
C-3190	<i>(Signature)</i>	2013-12	LAVAVAJILLAS EASY-H500		5	

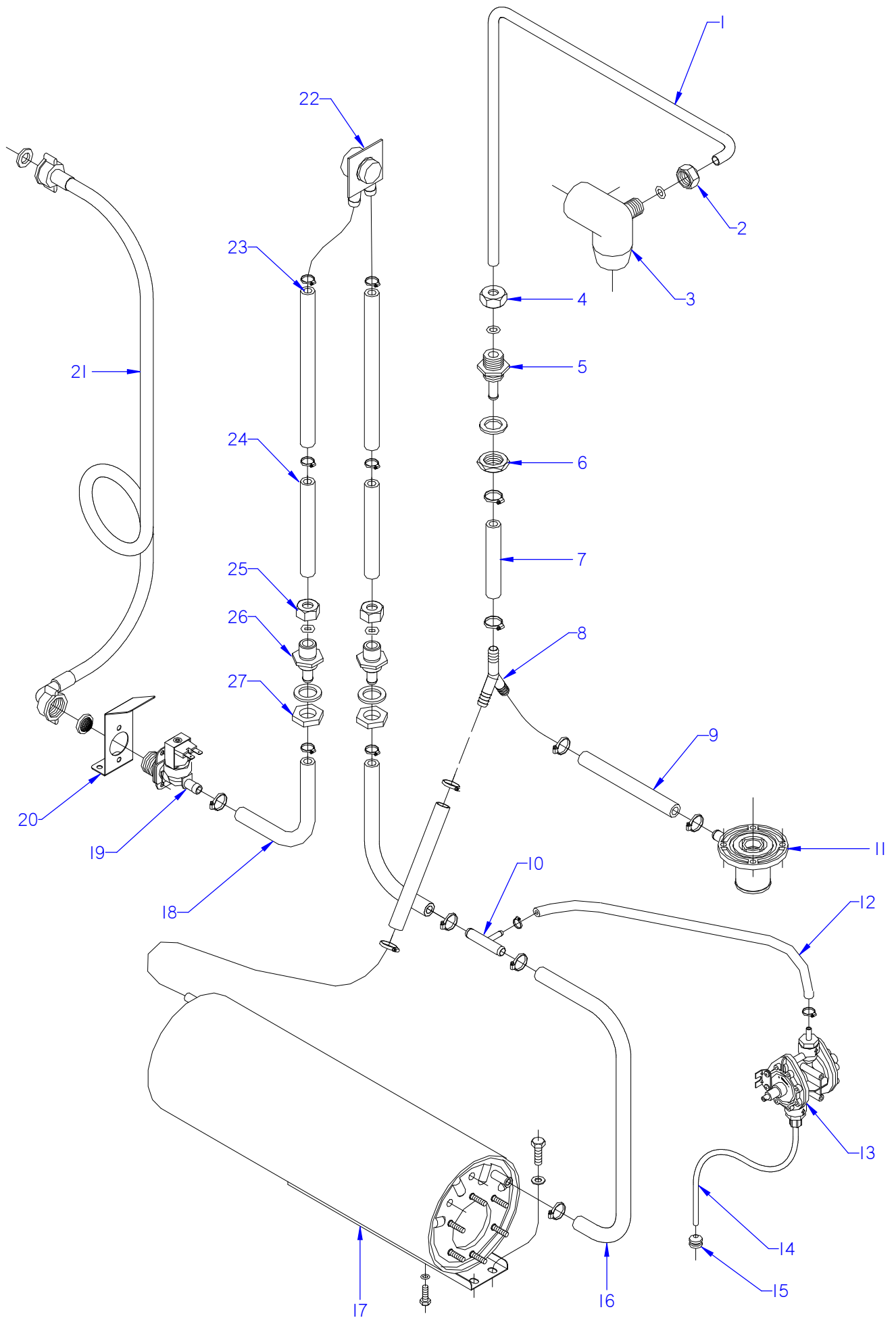


ITEM MARCADO EN COLOR = REPUESTO RECOMENDADO
 COLOURED ITEM = RECOMMENDED SPARE PART

N plano	Firma	Fecha	Aparato	PARTE FUNCIONAL DESAGÜE / DRAINAGE FUNCTIONAL PART	Lamina	
C-3191	<i>(Signature)</i>	2013-12	LAVAVAJILLAS EASY-H500 B	6		

MOD.	LAVAVAJILLAS DE CAPOTA PASS THROUGH DISHWASHER	ZONA / ZONE	PARTE FUNCIONAL DESAGÜE DRAINAGE FUNCTIONAL PART	PLANO DIAGRAM	C-3191
-------------	---	--------------------	---	--------------------------	---------------

ITEM	CODIGO REFERENCE	DENOMINACION	DENOMINATION	EASY-H500 B									ELIMINADO ELIMINATED	INTRODUCID. INTRODUCED	NOTAS
1	12023658	ALIVIADERO	OVERFLOW	1											
	12010165	JUNTA TOR.36.17X41.41X2.6	O-RING 36.17X41.41X2.6	1											
2	12024234	PASAMUROS DESAGUE	DRAINAGE BUSHING	1											
	12009937	ARANDELA 72x56x2	WASHER 72x56x2	1											
3	12009844	TUERCA RANURADA	GROOVED NUT	1											
4	12024943	ACUMULADOR CAPOTA	HOOD ACCUMULATOR	1											
	12010023	ABRAZADERA 20-32	CLAMP 20-32	2											
5	12023666	MANGUERA DESAGUE	DRAINAGE HOSE	1											
	12009962	ABRAZADERA 40-60	CLAMP 40-60	1											
6	12023456	BOMBA DESAGUE	DRAINAGE PUMP	1											
	Q262040000	ARANDELA GROW. A6 A.304	WASHER GROW. A6 A.304	4											
	Q012042000	TORNILLO EXAGONAL M6x15	HEXAGONAL BOLT M6x15	4											
	Q032032000	TORNILLO ALOMADO M5x15	CURVED SCREW M5X15	2											
	Q242030000	ARANDELA ABANICO A5 A.304	FAN WASHER A5 A.304	2											
7	12021851	SOPORTE MOTOBOMBA	MOTOR PUMP SUPPORT	1											
8	12021942	PROTECCION BOMBA	PUMP PROTECTION	1											

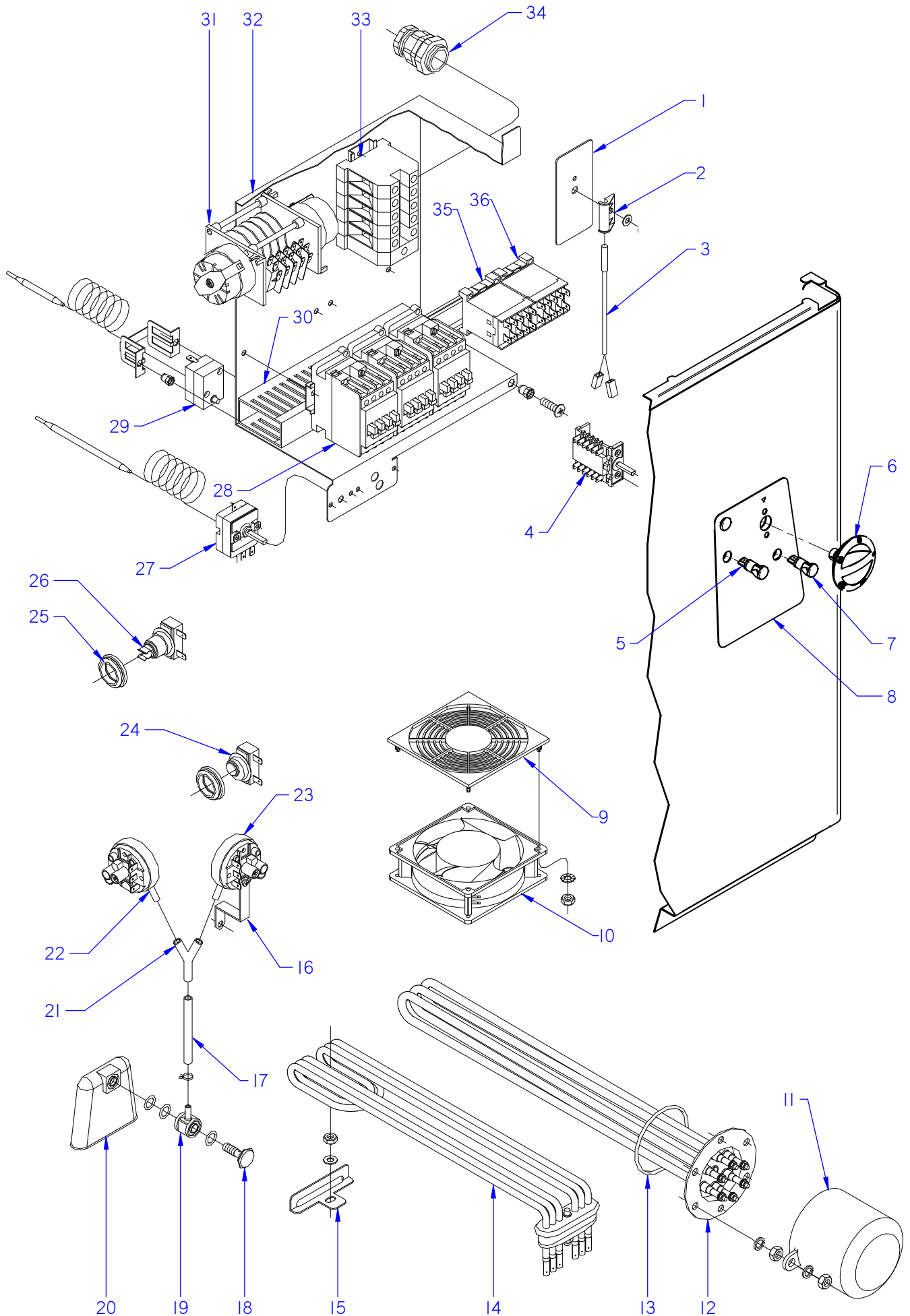


ITEM MARCADO EN COLOR = REPUESTO RECOMENDADO
 COLOURED ITEM = RECOMMENDED SPARE PART

N plano	Firma	Fecha	Aparato	PARTE FUNCIONAL ACLARADO / RINSE FUNCTIONAL PART	Lamina	
C-3192	<i>name benfor</i>	2013-12	LAVAVAJILLAS EASY-H500	7		

MOD.		LAVAVAJILLAS DE CAPOTA PASS THROUGH DISHWASHER		ZONA / ZONE		PARTE FUNCIONAL ACLARADO RINSE FUNCTIONAL PART				PLANO DIAGRAM		C-3192		
ITEM	CODIGO REFERENCE	DENOMINACION	DENOMINATION	EASY-H500	EASY-H500 B	EASY-H500 DD	EASY-H500 HP					ELIMINADO ELIMINATED	INTRODUCID. INTRODUCED	NOTAS
1	12025059	CONDUCCION	CONDUCTION	1	1	1	1							
2	12009819	TUERCA M.20x2.5	NUT M.20X2.5	1	1	1	1							
	12010256	JUNTA TORICA Ø9.12X16.18X3.53	O-RING Ø9.12X16.18X3.53	1	1	1	1							
3	12024927	SOPORTE DISTRIBUIDOR SUPER.	UPPER DISTRIBUTION SUPPORT	1	1	1	1							
	Q152004000	TORNILLO APLAST. M5x13 A.304	MUSHROOM HEAD BOLT M5x13 A	1	1	1	1							
	Q242030000	ARANDELA ABANICO A5 A.304	FAN WASHER A5 A.304	1	1	1	1							
4	12009819	TUERCA M.20x2.5	NUT M.20X2.5	1	1	1	1							
	12010256	JUNTA TORICA Ø9.12X16.18X3.53	O-RING Ø9.12X16.18X3.53	1	1	1	1							
5	12024395	PASAMUROS ACLARADO	RINSE BUSHING	1	1	1	1							
	12009947	JUNTA Ø 32X21X3	SEAL Ø 32X21X3	1	1	1	1							
6	12007871	TUERCA EXAGONAL 5-8 LATON	HEX NUT 5-8 BRASS	1	1	1	1							
7	11000083	TUBO GOMA NEGRA Ø 17*10	BLACK RUBBER PIPE 17*10	1	1	1	1							
	12010036	ABRAZADERA 12-20	CLAMP 12-20	2	2	2	2							
8	12023511	RACORD EN Y	Y-CONNECTION	1	1	1	1							
9	11000083	TUBO GOMA NEGRA Ø 17*10	BLACK RUBBER PIPE 17*10	2	2	2	2							
	12010036	ABRAZADERA 12-20	CLAMP 12-20	4	4	4	4							
10	12025288	TOMA PRESION	PRESSURE INTAKE	1	1	1	1							
11	12024312	PASAMUROS	BUSHING	1	1	1	1							
	Q012044000	TORNILLO EXAGONAL M6x25	HEXAGONAL BOLT M6x25	4	4	4	4							
	Q306050000	ARANDELA 6x12x1.5	WASHER 6x12x1.5	4	4	4	4							
	Q232040000	ARANDELA A6	WASHER A6	4	4	4	4							
	Q162040000	TUERCA EXAGONAL M6	HEXAGONAL NUT M6	4	4	4	4							
12	11000070	TUBO GOMA NEGRO D 10,5*5	BLACK RUBBER PIPE Ø 10.5*5	1	1	1	1							
	12010047	ABRAZADERA 8-14L	CLAMP 8-14L	2	2	2	2							
13	12045206	DOSIFICADOR ABRILLANTADOR	RINSE AID DISPENSER	1	1	1	1							
	Q232030000	ARANDELA A5	WASHER A5	2	2	2	2							
	Q012031000	TORNIL. EXAGONAL M5x10 A.304	HEXAGONAL BOLT M5X10 A.304	4	4	4	4							
	Q163020000	TUERCA EXAGONAL M4 LATON	HEXAGONAL NUT M4 BRASS	2	2	2	2							
14	12025178	CONDUCTO ABRILLANTADOR	RINSE AID PIPE	1	1	1	1							
15	12024353	PESO FILTRO	FILTER WEIGHT	1	1	1	1							

MOD.		LAVAVAJILLAS DE CAPOTA PASS THROUGH DISHWASHER		ZONA / ZONE		PARTE FUNCIONAL ACLARADO RINSE FUNCTIONAL PART				PLANO DIAGRAM		C-3192		
ITEM	CODIGO REFERENCE	DENOMINACION	DENOMINATION	EASY-H500	EASY-H500 B	EASY-H500 DD	EASY-H500 HP					ELIMINADO ELIMINATED	INTRODUCID. INTRODUCED	NOTAS
16	11000083	TUBO GOMA NEGRA Ø 17*10	BLACK RUBBER PIPE 17*10	1	1	1	1							
	12010036	ABRAZADERA 12-20	CLAMP 12-20	2	2	2	2							
17	12022943	CALDERIN COMPLETO	COMPLETE DRUM	1	1	1	1							
	Q012031000	TORNIL. EXAGONAL M5x10 A.304	HEXAGONAL BOLT M5X10 A.304	2	2	2	2							
	Q232030000	ARANDELA A5	WASHER A5	2	2	2	2							
	Q012063000	TORNIL. EXAGONAL M10x20 A.304	HEXAGONAL BOLT M10X20 A.304	1	1	1	1							
	12010256	JUNTA TORICA Ø9.12X16.18X3.53	O-RING Ø9.12X16.18X3.53	1	1	1	1							
18	11000083	TUBO GOMA NEGRA Ø 17*10	BLACK RUBBER PIPE 17*10	2	2	2	2							
	12010036	ABRAZADERA 12-20	CLAMP 12-20	4	4	4	4							
19	12025161	ELECTR. SIMP.220V COD.255.208	SOLENOID VALVE SIMP.220V CO	1	1	1	1							
20	12022229	ESCUADRA AMARRE ELECTROVA	SOLENOID VALVE BRACKET	1	1	1	1							
	Q152024000	TORN. AVELLANADO M4x8 A.304	HEXAGONAL COUNTERSUNK M4	2	2	2	2							
	Q242020000	ARANDELA ABANICO A4 A.304	FAN WASHER A4 A.304	2	2	2	2							
	Q012031000	TORNIL. EXAGONAL M5x10 A.304	HEXAGONAL BOLT M5X10 A.304	2	2	2	2							
	Q232030000	ARANDELA A5	WASHER A5	2	2	2	2							
21	12024115	MANGUERA ENTRADA AGUA	WATER INTAKE HOSE	1	1	1	1							
22	12024568	VALVULA ANTIRRETORNO	NON-RETURN VALVE	1	1	1	1							
	Q881302000	ABRAZADERA 12/20	CLAMP 12/20	2	2	2	2							
S/Nº	12021986	SOPORTE VALVULA A.R.	VALVE SUPPORT A.R.	1	1	1	1							
23	11000083	TUBO GOMA NEGRA Ø 17*10	BLACK RUBBER PIPE 17*10	2	2	2	2							
	12041731	ABRAZADERA INOX 12-22	CLAMP INOX 12-22	4	4	4	4							
24	12022406	TUBO EMPALME	CONNECTION PIPE	2	2	2	2							
25	12009819	TUERCA M.20x2.5	NUT M.20X2.5	2	2	2	2							
	12010256	JUNTA TORICA Ø9.12X16.18X3.53	O-RING Ø9.12X16.18X3.53	2	2	2	2							
26	12024395	PASAMUROS ACLARADO	RINSE BUSHING	2	2	2	2							
	12009947	JUNTA Ø 32X21X3	SEAL Ø 32X21X3	2	2	2	2							
27	12007871	TUERCA EXAGONAL 5-8 LATON	HEX NUT 5-8 BRASS	2	2	2	2							



ITEM MARCADO EN COLOR = REPUESTO RECOMENDADO
 COLOURED ITEM = RECOMMENDED SPARE PART

N plano	Firma	Fecha	Aparato	PARTE FUNCIONAL ELECTRICA / ELECTRICS FUNCTIONAL PART	Lamina	
C-3193	name Benja	2009-05	LAVAVAJILLAS EASY-H500		8	

MOD.		LAVAVAJILLAS / DISWASHER	ZONA / ZONE	PARTE FUNCIONAL ELECTRICA ELECTRICS FUNCTIONAL PART								PLANO DIAGRAM	C-3193	
ITEM	CODIGO REFERENCE	DENOMINACION	DENOMINATION	EASY-H500	EASY-H500 B	EASY-H500 DD	EASY-H500 HP					ELIMINADO ELIMINATED	INTRODUCID. INTRODUCED	NOTAS
1	12022312	APOYO INTERRUPTOR	SWITCH SUPPORT	1	1	1	1							
2	12024066	AMARRE INTERRUPTOR MAGNET.	MAGNETIC SWITCH FASTENER	1	1	1	1							
	Q232040000	ARANDELA A-6	WASHER A-6	1	1	1	1							
	Q162040000	TUERCA EXAGONAL M-6	HEXAGONAL NUT M-6	1	1	1	1							
3	12024477	INTERRUPTOR MAGNETICO	MAGNETIC SWITCH	1	1	1	1							
4	12023965	CONMUTADOR 16A 12 V 5pos VDE	16A 12 V 5pos VDE SWITCH	1	1	1								
4	12024932	CONMUTADOR 16A 12vía 7pos VDE	16A 12 V 7pos VDE SWITCH				1							
	12023521	CASQUILLO	BUSHING	2	2	2								
5	12024254	PILOTO AMBAR 41227000A4	AMBER PILOT 41227000A4	2	2	2	2							
6	12091680	BOTON DE MANDO EASY-H500	CONTROL BUTTON EASY-H500	1		1								
6	12091669	BOTON DE MANDO EASY-H500 B	CONTROL BUTTON EASY-H500B		1									
6	12091684	BOTON DE MANDO EASY-H500 HP	CONTR. BUTTON EASY-H500 HP				1							
7	12025211	PILOTO VERDE 41227000C7	GREEN PILOT 41227000C7	1	1	1	1							
8	12091628	EMBELLEC. ADHESIVO EASY-H500	ADHESIVE TRIM EASY-H500	1	1	1	1							
9	12025177	PROTECCION VENTILADOR ABS	FAN PROTECTION ABS	1	1	1	1							
	Q042022000	TORNILLO AVELLANADO M4x15	COUNTERSUNK BOLT M4x15	8	8	8	8							
	Q162020000	TUERCA EXAGONAL M4	HEXAGONAL NUT M4	12	12	12	12							
	Q242020000	ARANDELA ABANICO A-4 A304	FAN WASHER A-4 A304	8	8	8	8							
10	12023862	VENTILADOR 230V,50/60 HZ	FAN 230V,50/60 HZ	1	1	1	1							
11	12024282	CAPERUZA RESISTEN. CALDERIN	DRUM RESIST. CAP	1	1	1	1							
	Q163140000	TUERCA EXAGONAL M6 LATON	HEXAGONAL NUT M6 BRASS	2	2	2	2							
	Q012031000	TORNIL. EXAGONAL M5x10 A.304	HEXAGONAL BOLT M5X10 A.304	2	2	2	2							
	Q232030000	ARANDELA A-5	WASHER A-5	2	2	2	2							
12	12024732	RESISTENCIA CALDERIN	DRUM RESISTOR	1	1	1								
12	12024146	RESISTENCIA CAD. 12KW.	RESISTOR CAD. 12KW.				1							
	Q221305000	TUERCA EX. AUTO. M4 ZINCADA	HEX NUT , AUTO. M4 ZINC-COAT	6	6	6	6							
	Q163140000	TUERCA EXAGONAL M6 LATON	HEXAGONAL NUT M6 BRASS	6	6	6	6							
	Q262040000	ARANDELA GROW. A6 A,304	WASHER GROW. A6 A.304	6	6	6	6							
13	12010051	JUNTA TORICA AN-36 282333	O-RING AN-36 282333	1	1	1	1							
14	12023778	RESISTENCIA TANQUE	TANK RESISTOR	1	1	1	1							

MOD.		LAVAVAJILLAS / DISWASHER		ZONA / ZONE		PARTE FUNCIONAL ELECTRICA ELECTRICS FUNCTIONAL PART				PLANO DIAGRAM		C-3193		
ITEM	CODIGO REFERENCE	DENOMINACION	DENOMINATION	EASY-H500	EASY-H500 B	EASY-H500 DD	EASY-H500 HP					ELIMINADO ELIMINATED	INTRODUCID. INTRODUCED	NOTAS
15	12021914	SOPORTE RESISTENCIA TANQUE	TANK RESISTOR SUPPORT	1	1	1	1							
	Q232040000	ARANDELA A,6	WASHER A,6	1	1	1	1							
	Q162040000	TUERCA EXAGONAL M6	HEXAGONAL NUT M6	1	1	1	1							
16	12023163	SOPORTE PRESOSTATO	PRESSURE SWITCH SUPPORT	1	1	1	1							
	Q082032000	TORNILLO ALOMADO BZ-3,5x9,5	CURVED SCREW BZ-3.5x9.5	1	1	1	1							
	Q162040000	TUERCA EXAGONAL M6	HEXAGONAL NUT M6	1	1	1	1							
17	11000066	TUBO DE GOMA 8x4 D8*4	RUBBER PIPE 8x4 D8*4	1	1	1	1							
	12023707	BRIDA ELASTICA TUBO	ELASTIC PIPE FLANGE	2	2	2	2							
18	12024222	TORNILLO PRESOSTATO	PRESSURE SWITCH BOLT	1	1	1	1							
19	12024157	EMPALME PRESOSTATO	PRESSURE SWITCH CONNEX	1	1	1	1							
	12009873	JUNTA TOR.16,01x10,77x2,62	O-RING 16.01x10.77x2.62	3	3	3	3							
20	12024350	CAMARA PRESOSTATO	PRESSURE SWITCH	1	1	1	1							
21	12023510	RACORD EN Y	Y-CONNECTION	-	1	-	-							
22	12023804	PRESOSTATO SIMPLE	SIMPLE PRESSURE SWITCH	1	1	1	1							
23	12023856	PRESOTATO SEGURIDAD	SAFETY PRESSOSTAT	-	1	-	-							
24	12023708	TERMOSTATO DOBLE	DOUBLE THERMOSTAT	1	1	1	1							
25	12024049	SOPORTE TERMOSTATO 1001713	THERMOSTAT SUPPORT 1001713	2	2	2	2							
26	12046165	TERMOSTATO SEGURIDAD 115°C	SECURITY THERMOSTAT 115°C	1	1	1	1							
27	12040858	TERMOSTATO CALDERIN	WASH DRUM THERMOSTAT	1	1	1	1							
28	12024040	CONTAC. SIRIUS 3R 230V.50-60	CONTACT. SIRIUS 3R 230V.50-60	3	3	3	3							
29	12023830	LIMITADOR TECASA P.	LIMITER TECASA P.	1	1	1	1							
S/Nº	12022151	AMARRE LIMITADOR TECASA	LIMITER FASTENING TECASA	1	1	1	1							
	Q152024000	TORNILLO AVELLANADO M4x8	COUNTERSUNK BOLT M4x8	2	2	2	2							
30	11000162	CANALETA UNEX 60,30,77	PIPING UNEX 60.30.77	3	3	3	3							
31	12024177	PROGRAMAD. 230V AC 50Hz 16A	PROGRAM. 230V AC 50Hz 16A	1	1	1	-							
31	12024571	PROGRAMADOR CICLO 50Hz	PROGRAMMER CICLO 50Hz	-	-	-	1							
32	12022539	CAJA CUADRO ELECTRICO	SWITCHBOARD BOX	1	1	1	1							

MOD.	LAVAVAJILLAS / DISWASHER	ZONA / ZONE	PARTE FUNCIONAL ELECTRICA ELECTRICS FUNCTIONAL PART	PLANO DIAGRAM	C-3193
------	--------------------------	-------------	--	------------------	--------

ITEM	CODIGO REFERENCE	DENOMINACION	DENOMINATION	EASY-H500	EASY-H500 B	EASY-H500 DD	EASY-H500 HP					ELIMINADO ELIMINATED	INTRODUCID. INTRODUCED	NOTAS
33	12025214	BORNA 16	TERMINAL 16	3	3	3	3							
	12025191	BORNA PASO WDU16 10204,8	STEP TERMINAL WDU16 10204.8	1	1	1	1							
	12023727	BORNA A TIERRA WEIDMULLER	TERMINAL TO EARTH WEIDMULL	1	1	1	1							
	12040923	BORNAS PORTA FUSIBLES 13A 4	FUSE HOLDER TERMINALS 13A	2	2	2	2							
	12040926	FUSIBLE 0,50A Ø5MM 20X5 UL	FUSE 0.50A UL 20X5 Ø5MM	4	4	4	4							
	12025297	SEÑALIZ.UL	SIGNS UL	1	1	1	1							
	12025171	TOPE FINAL BORNA	TOP END TERMINAL	1	1	1	1							
34	12009927	PRENSA ESTOPAS	STUFFING BOX	1	1	1	1							
35	12024012	CONTACT. 230V AC 50/60Hz 16A	CONTACT. 230V AC 50/60Hz 16A	1	1	1	1							
36	12024011	CONTACTOR 230 V. 50-60 HZ	CONTACT. 230 V. 50-60 HZ	-	-	-	1							

LEYENDA CAPOTA

	ESPAÑOL	FRANÇAIS	ENGLISH	DEUTSCH	ITALIANO
Ⓐ Ⓑ	Puntos de conexión con R	Points de conexión R	Connection point with R	Anschlußpunkte mit R	Punti di collegamento con R
BD	Bomba desagüe	Pompe de vidange	Drain pump	Abflußpumpe	Pompa scarico
C 1/2/3	Condensador	Condensateur	Condenser	Kondensator	Condensatore
CMB	Contactora bomba lavado	Contacteur pompe lavage	Wash pump contactor	Kontaktschütz Waschpumpe	Contattore pompa lavaggio
Cc 1/2	Contactora calentamiento calderin	Contacteur chauff. surchauffeur	Boiler heating contactor	Kontaktschütz Boilerheizung	Contattore riscaldamento boiler
Ct	Contactora calentamiento tanque	Contacteur chauffage cuve	Tank heating contactor	Kontaktschütz Heizung Tank	Contattore riscaldamento serbatoio
CP	Rele puerta	Relais porte	Door relay	Türrelais	Rele porta
Ds.Det.	Dosificador detergente	Dosueur de detergent	Detergent doser	Dosierer Spülmittel	Dosatore detersivo
E.B	Electrobomba de presión	Electropompe de pression	Electric pressure pump	Elektro-Drucksteigerungspumpe	Electropompa pressione
IG	Interruptor general	Interrupteur general	Main switch	Hauptschalter	Interruttore generale
IP	Micro puerta	Micro porte	Door microswitch	Mikroschalter Tür	Micro porta
L1	Piloto de encendido	Voyant fonctionnement	Operation light	Betriebsanzeigelampe	Spia accensione
L2	Piloto marcha	Voyant démarrage	Start light	Startanzeigelampe	Spia avvio
L3	Piloto máquina preparada	Voyant machine prêt	Light machine ready	Betriebsbereitschaftsanzeigelampe	Pilota macchina preparata
MBL 1/2	Bomba lavado	Pompe lavage	Wash pump	Waschpumpe	Pompa lavaggio
M	Motor programador	Moteur du programmeur	Motor programmer	Motor Programmiervorrichtung	Motore programmatore
M Av. R	Motor program. avance rápido	Moteur du progr.avance rapide	Motor program. rapid advance	Motor Programmiervorrich. schneller Vorlauf	Motore programmatore avanzamento rapido
M1	Micro programador marcha	Micro du programm. de marche	Micro programmer on	Motor Programmiervorrich. Betrieb	Micro programma. di funzionamento
M2	Micro programador lavado	Micro du programm. de lavage	Micro programmer wash	Motor Programmiervorrich. Waschen	Micro programmatore di lavaggio
M3	Micro programador aclarado	Micro du programm. de rinçage	Micro programmer on	Motor Programmiervorrich. Spülen	Micro programmatore di risciacquo
M4	Micro programador Termo-stop	Micro du programm. Thermo-stop	Micro programmer Thermo-stop	Motor Programmiervorrich. Thermo-Stop	Micro programmatore Thermo-stop
M5	Micro programador avance	Micro du programm. avance	Micro programmer advance	Motor Programmiervorrich. Vorlauf	Micro programmatore avanzamento
M6	Micro programador avance	Micro du programm. avance	Micro programmer advance	Motor Programmiervorrich. Vorlauf	Micro programmatore avanzamento
P, P1, P5	Presostato	Pressostat	Pressure switch	Druckwächter	Pressostato
P2, P3, P4	Presostato limitador	Pressostat de sécurité	Hi-limit pressure switch	Begrenzer Druckwächter	Pressostato limitatore
R	Rele de Generador de A.C.	Relais du Générateur	Generator rele	Relais Generator	Rele Generatore
Ⓡ Ⓝ	Toma de alimentac. Generador A.C.	Alimentation generateur	Water heater feeding	Stromversorgungsanschluß Gener.	Alimentazione generatore
RC	Resistencia calderin	Resistance surchauffeur	Boiler heating element	Heizwiderstand Boiler	Resistenza boiler
RT	Resistencia tanque	Resistance cuve	Tank heater	Heizwiderstand Tank	Resistenza serbatoio
Tt	Termostato tanque	Thermostat de cuve	Tank thermostat	Thermostat Tank	Termostato serbatoio
TC	Termostato calderin	Thermostat surchauffeur	Boiler thermostat	Thermostat kessel	Termostato boiler
Tst	Limitador tanque	Limiteur de cuve	Tank limiter	Begrenzer Tank	Limitatore serbatoio
TSC	Limitador calderin	Limiteur surchauffeur	Boiler Hi-limit	Begrenzer Boiler	Limitatore boiler
TSTP	Termostato termo-stop	Thermostat Thermo-stop	Thermo-stop Thermostat	Thermostat Thermo-stop	Termostato Thermo-stop
V	Electrovalvula llenado y aclarado	Electrovan. remplissage rinçage	Fill and rinse valve	Elektroventil Füllen und Spülen	Elettroval. riempimento e risciacquo
VE	Ventilador cuadro eléctrico	Ventilateur tableau électrique	Switchboard fan	Schalttafelventilator	Ventilatore quadro elettrico
COLOR	COLORES	COULEURS	COLOUR	FARBEN	COLORE
a =	Azul	Bleu	Blue	Blau	Blu
am =	Amarillo	Jaune	Yellow	Gelb	Giallo
am/ve =	Amarillo/verde	Jaune / vert	Yellow / green	Gelb/grün	Giallo/verde
b =	Blanco	Blanc	White	Weiß	Bianco
g =	Gris	Gris	Grey	Grau	Grigio
m =	Marrón	Marron	Brown	Braun	Marrone
n =	Negro	Noir	Black	Schwarz	Nero
na =	Naranja	Orange	Orange	Orange	Arancio
r =	Rojo	Rouge	Red	Rot	Rosso
rs =	Rosa	Rose	Pink	Rosa	Roseo
ve =	Verde	Vert	Green	Grün	Verde
vi =	Violeta	Violet	Purple	Violett	Viola

Z-713036